

INSTRUCTIONS AND REPAIR PARTS LIST

SAND10 SMALL ANIMAL DRINKER

READ ALL DIRECTIONS CAREFULLY BEFORE BEGINNING INSTALLATION

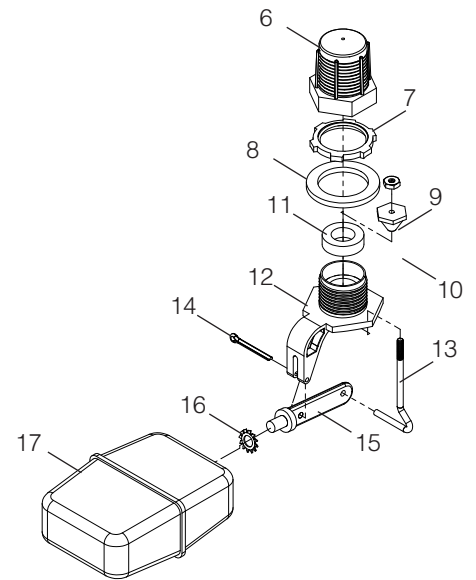
Tools Required: 1/4" Drill Bit, Drill, Tin Snips, Receptrocating Saw, C-Clamp, 3/8" Socket, Socket Wrench, Impact Wrench, Wooden Block, Hammer.

SAND10 Parts List

Ref. No.	Part No.	Description	Qty
1	SAND50	Drinker Body, Poly	1
2	SAND51	Bracket, Galvanized	4
3	SAND52	External Shield, Galvanized	1
SAND10-HDWE - SAND10 Hardware Pack Contains Ref. Nos. 4-17			
4	SAND53	Caulking Seal, 5/32" x 1/2", 10' L	1
5	OF494	1/4"-20 x 1" Hex Head Type "F" Thread Cutting Screw	28
B78P - Valve and Float Assembly Contains Ref. Nos. 6-17			
6	A15P	Hex Screen Filter, Poly	1
7	B83	3/4" Conduit Locknut, Zinc	1
8	A19	1-1/16" Washer, Fiber	1
9	OF51	#6-32 Hex Machine Nut, Brass	1
10	B80P	Hex Cone, Poly	1
11	B82	1/2" ID x 7/8" OD Washer, Rubber	1
12	B84P	Valve Body, Poly	1
13	3B1	Hook Rod, Brass	1
14	B100	1/8" x 1" Cotter Pin, Brass	1
15	W80B11P	Float Arm, Poly	1
16	OF116	1/4" External Tooth Lockwasher, SS	1
17	OP346	Float, Poly	1

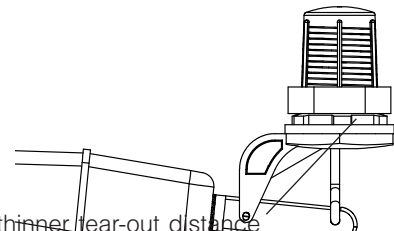
All parts listed are available as repair parts.

EXHIBIT A - B78P Valve



Valve Repair Packages - See Exhibit A

Part No.
B77P - Valve Only; Contains Ref. Nos. 6-13
B79P - Float and Float Arm; Contains Ref. Nos. 15-17
B81 - Hook, Rod, Cone Assembly; Contains Ref. Nos. 9, 10 & 13



Note: The thinner rear-out distance of the W80B11P Float Arm should face upward.

MODEL NUMBER

The MODEL NUMBER is: SAND10

WHEN ORDERING PARTS

- (1) Show MODEL NUMBER and NAME: Example - SAND10 Small Animal Drinker
- (2) Show PART NUMBER and FULL DESCRIPTION of part: Example - SAND52 External Shield, Galvanized

HOW TO ORDER PARTS

Repair parts may be ordered from your dealer.



PO BOX 2000 • HOUGHTON, IOWA 52631 • USA
PHONE: 319-469-4141 FAX: 319-469-4402
www.hawkeysteel.com E-MAIL: sales@hawkeysteel.com



ISHSAND
REV. 3.3
PRINTED IN U.S.A.

EXHIBIT B

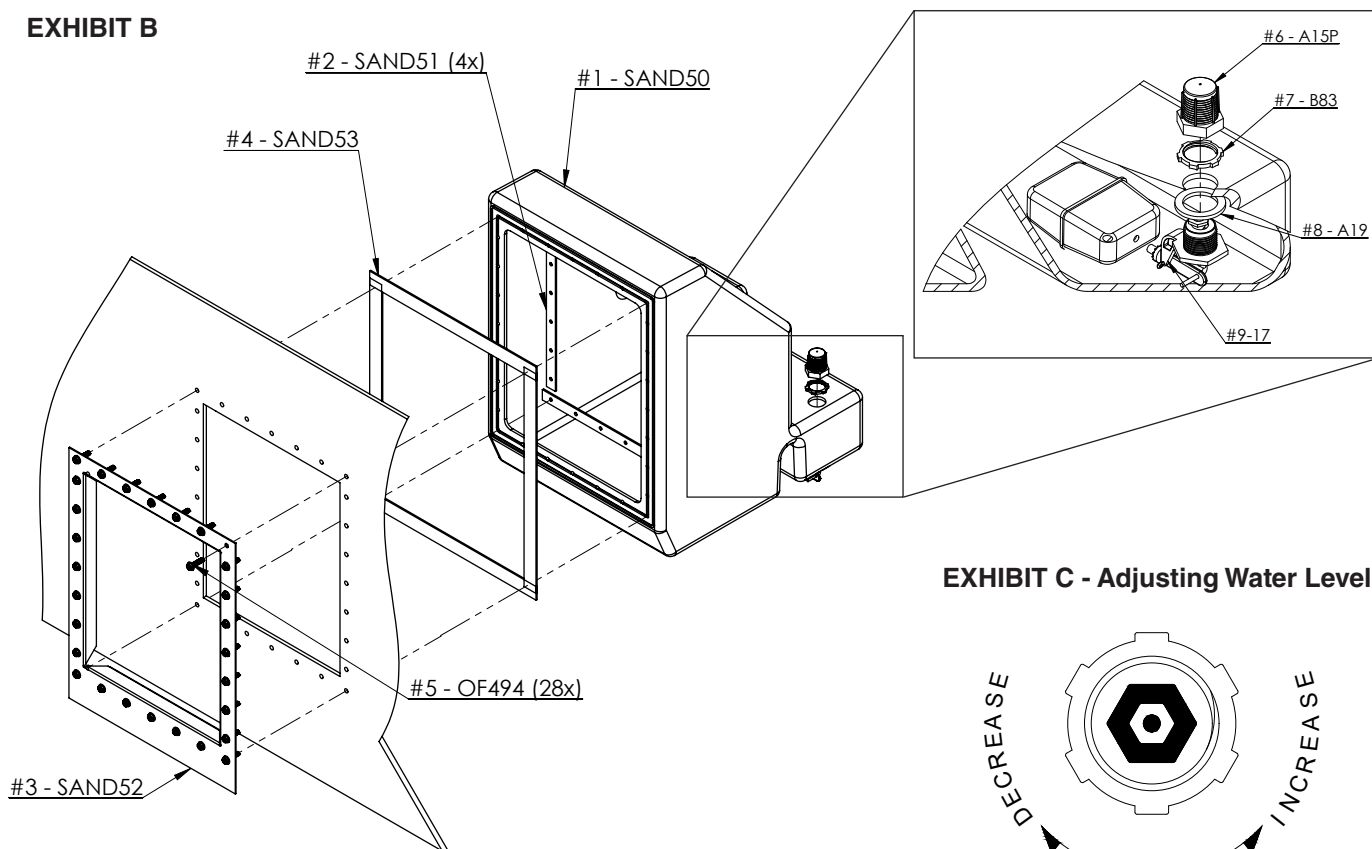
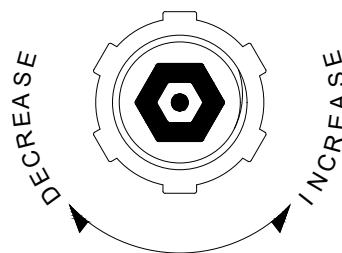


EXHIBIT C - Adjusting Water Level



ASSEMBLY INSTRUCTIONS

DO NOT TIGHTEN ANY FASTENERS UNTIL INSTRUCTED TO DO SO!

- STEP 1: Check the materials received against the parts list to ensure that all parts are present.
- STEP 2: Locate the B78P Valve and Float Assembly (Ref. Nos. 6-17). Remove the Screen Filter (Ref. No. 6), and Locknut (Ref. No. 7). Insert the threaded portion of the valve through the hole in the valve cavity. Make sure the valve float is turned parallel with the valve cavity as shown above. Thread the locknut onto the valve and tighten.
- CAUTION: Do not overtighten or you may damage the valve.**
- STEP 3: After the Valve and Float assembly is secure, thread the Screen Filter onto the valve. This only needs to be finger tight.
- STEP 4: Using the External Shield (Ref. No. 3) as a template, position shield where you want the opening. **THIS IS VERY IMPORTANT! Allow 4.50 inches (11.5 cm) from the bottom of the tank to the opening lower lip. Do not get the opening too close to the bottom. Scribe around the inside of the shield.**
- STEP 5: CUT AN OPENING ABOUT 1/8" (.32 cm) larger than the scribed mark. You can use a reciprocating saw or tin snips. On steel tanks, use a hammer and block to flatten out the corrugations around the opening. Be careful not to slit the corrugations.
- STEP 6: Use C-clamps to hold the Body (Ref. No. 1) and External Shield (Ref. No. 3) in place. Use a 1/4" drill bit to drill each hole in the shield. Drill through both the Tank and Body. Remove C-clamps.
- STEP 7: On the face of the Body, there are two raised keyways. Apply the Seal (Ref. No. 4) in two rows on these keyways around the perimeter of the Body. Allow Seals to overlap at the corners. Remove paper backing after Seal has been placed.
- STEP 8: Carefully line up the Body holes with the holes in the tank. Use C-clamps to hold the Body and External Shield in place. Place the Brackets (Ref. No. 2) on the inside of the body as shown in Exhibit B.
- STEP 9: Insert Thread Cutting Screws (Ref. No. 17) through the holes in the shield and use Socket or Impact Wrench to tighten.
- STEP 10: Tighten all bolts evenly.
- STEP 11: Your drinker is now ready to fill. It is recommended to fill the Tank halfway while adjusting the water level in the trough. When full, the recommended water level in the Body is 1" below the top edge of the trough. To increase the water level in the trough, remove the Screen Filter from the Valve and turn the end of the Hex Cone and #6 Machine Nut (Ref. No. 10 & 9) counter-clockwise. See Exhibit C. To decrease the water level, turn the end of the Hex Cone and #6 Machine Nut clockwise. After valve adjustment, be sure to screw the Screen Filter back onto the Valve.
- Note: The Valve may slowly trickle for up to half an hour. During that time water level will slowly increase.**
- STEP 12: Finish filling the tank. Check for leaks. If any are found, check tightness of fasteners or check to make sure seal is in the proper position.